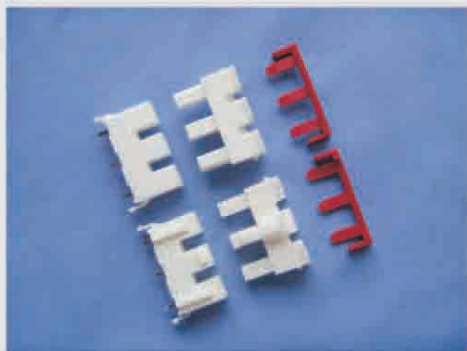


B1000001



- ▶ 主要技术特性 (Main Specifications)
- ▶ 适用导线规格 (Applicable wire) : AWG24#~18#
- ▶ 适用基板厚度 (Applicable PC board thickness) : 1.6mm
- ▶ 温度范围 (Temperature range) : -25℃~+85℃
- ▶ 额定电压 (Voltage rating) : 250V AC, DC
- ▶ 额定电流 (Current rating) : 3A AC, DC
- ▶ 接触电阻 (Contact resistance) : $\leq 0.02\Omega$
- ▶ 绝缘电阻 (Insulation resistance) : $\geq 1000M\Omega$
- ▶ 耐压 (Withstanding voltage) : 1500V AC/minute

材料及电镀规格 Material and Finish

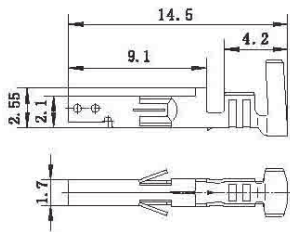
型号 Type	材料 Material	材料厚度 Material Thickness	电镀规格 Finish
插座 WAFER	塑胶 HOUSING	PA66 UL94V-0	N/A
	针PIN	黄铜 Brass	镀锡 Tin-plated
孔座 HOUSING	PA66 UL94V-0	—	N/A
端子 TERMINAL	锡青铜 Phosphor bronze	0.2mm	镀锡 Tin-plated

产品尺寸图 Product size chart

 单位: mm 一般公差: ± 0.20

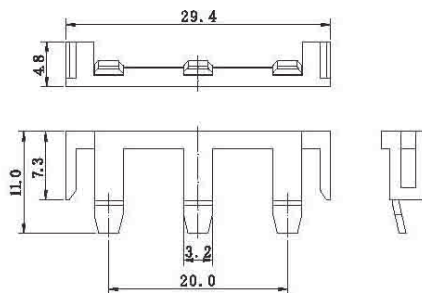
TERMINAL

B420001-4 5556-Y



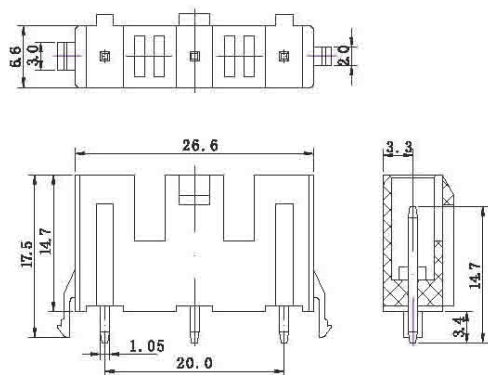
HOUSING

B1000001-5-03 90019AS



WAFER

B1000001-1-03 3711-004929



HOUSING

B1000001-2-03 90019HS

